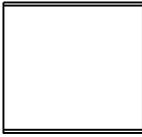
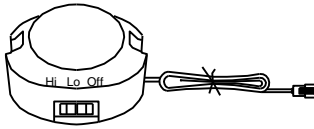
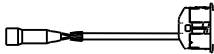
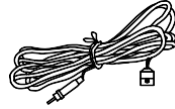
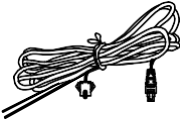

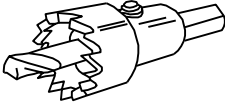




Parking Sensor User's Guide

PSB111

Parts List

 Control box * 1	 Buzzer * 1
 Sensor * 4	 sensor branch wire * 4
 Power wire * 1	 0° sensor masker * 4
 ∅ 22mm hole saw* 1	

Specification

1. Operated Voltage: DC 10~15V
2. Operated Temp.: -30~+70°C
3. Consumption.: ≤4W
4. Sensor detection distance :
Left and right : 2 ft.
Center left and right : 5 ft.

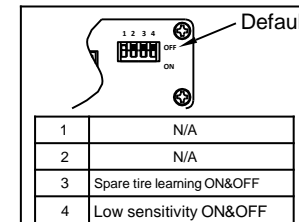
Function

1. Working condition :
To engage sensor system, turn ignition key to the 'ON' position and move gear selector to reverse gear.
2. Warning mode :

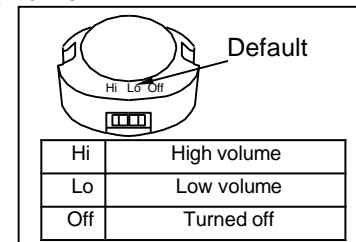
Obstacle distance	Warning
4 ft. ~ 5 ft.	Slow Beep
4 ft. ~ 3 ft.	Medium Beep
3 ft. ~ 2 ft.	
2 ft. ~ 1 ½ ft.	Fast Beep
<1 ½ ft.	Constant beep

↓
Faster
||
Closer

3. Setup function
(A) Control box



- (Buzzer

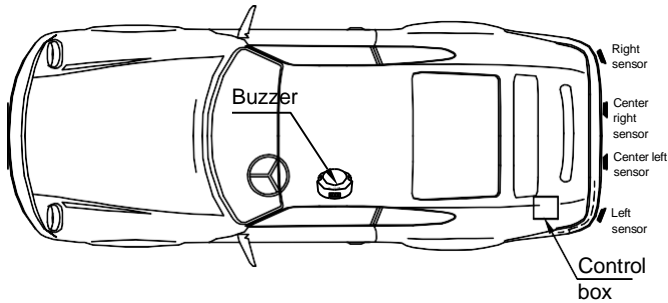


- (C) Display (Optional)

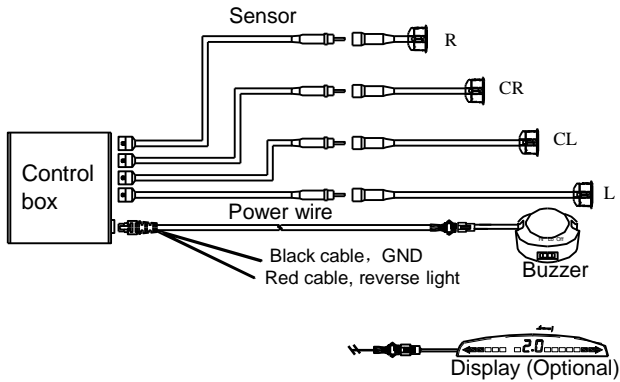
Mode	Definition	Show	Note
Volume	High	2	Press the setting button, the buzzer will sound once and show "2". If you want to adjust volume, continue pressing the settings button, the display will cycle "0", "1" and "2". Release button when display shows desired setting.
	Low	1	
	Off	0	
Metric vs Imperial Display	The metric system	H1	Press and hold the settings button, then the buzzer alarm once and show "H1". If you want to adjust the display mode, please and release the button and continue pressing the settings button, the display will cycle "H0" and "H1". Release button when display shows desired setting.
	The Imperial system	H0	

Installation

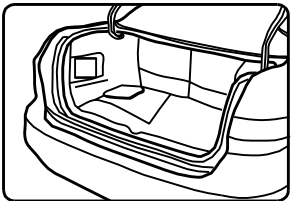
1. Installation position



2. Wiring diagram



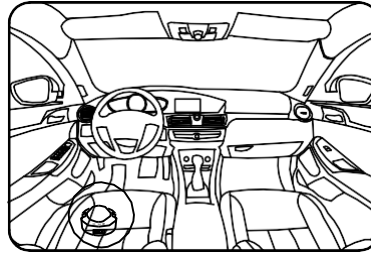
3. Control box



- Install the control box in the left side of the trunk.
- Please clean the surface before installing the control box.

NOTE: Control box is not weather resistant. Do not mount outside of vehicle.

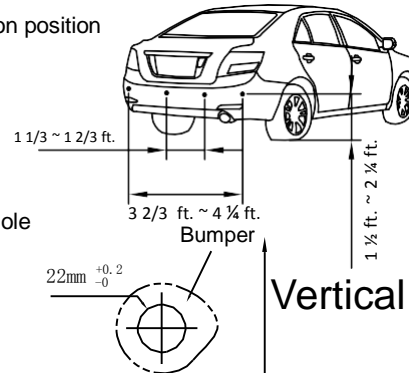
4. Buzzer



- Install buzzer under the driver's seat.
- Be sure to route wiring away from any moving parts

5. Sensor

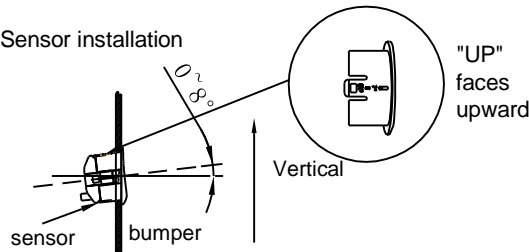
(A) Installation position



(B) Sensor hole

- Verify hole saw is the same size as sensor.
- Please remove the burrs around the hole after drilling, ensure the size of the hole and make sure there's no debris or metal / plastic parts blocking the sensor. Objects blocking or covering the sensor will produce false alarms.

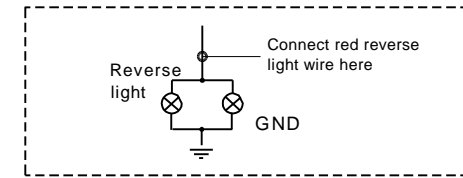
(C) Sensor installation



- Make sure the sensor angle is between 0~8°
- Connect the sensors according to the labels
- Please make sure that the wiring harness is fixed and far away from exhaust pipe.

6. Connection guide

- This product is used to 12V vehicle;
- Connection of reverse light wire (red);



c. Connect GND

Connect the ground ring (black wire) to a metal part on vehicle body.

Testing & Troubleshooting

- If the buzzer gives warning, even if there's no obstacles, please check the sensor installation direction, and make sure the sensor surface is not angled toward the ground.
- If the direction of the warning is not correct, please check the connection of the sensor.
- Clean any debris from sensor surface and surrounding areas.
- When running on large angle slope, grass or gravel road, it is possible the system will produce a false warning.